

Monitor up to 32 PDU's from a Single IP

Modbus Serial Communication Protocol

Simple Setup Procedure

2 Wire RS485 Interface

## Overview

iPDU's can be daisy chained to best utilise network ports within an installation, The PDU Product may be configured as a 'Master' and connected to up to fifty (50) other PDU's, via a 2 wire RS485 interface, that are configured as 'Slaves' To allow the master PDU to collect measurements from the slaves for query over the masters SNMP interface.

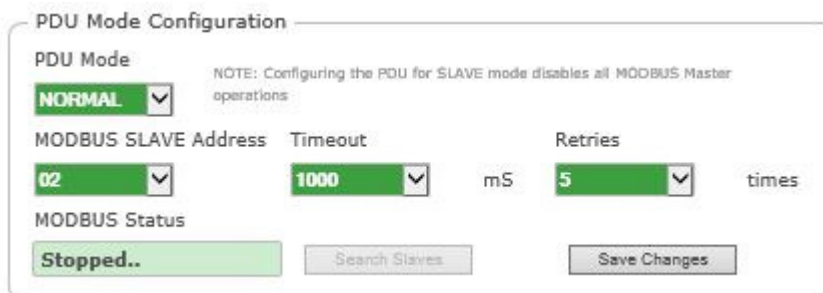
## Software Setup

Please see below the steps required for Daisy Chaining PDU's

Navigate to the PDU, which is to become your first slave

Go to the configuration page

Find the PDU Mode Configuration Box



The screenshot shows a web-based configuration interface for a PDU. It features several dropdown menus and buttons. The 'PDU Mode' is set to 'NORMAL'. A note states: 'NOTE: Configuring the PDU for SLAVE mode disables all MODBUS Master operations'. The 'MODBUS SLAVE Address' is set to '02', 'Timeout' is '1000 mS', and 'Retries' is '5 times'. The 'MODBUS Status' is 'Stopped..'. There are 'Search Slaves' and 'Save Changes' buttons.

Change PDU Mode to Slave

Change PMU Address to next consecutive number (Master PDU's will always be 1, first Slave will be 2

Press Save Changes

MODBUS Status says "Listening"

This completes the Slave Settings, Repeat for Additional Slave PDU's

Connect to the PDU that's going to be your Master using the Link ports on the PDU.

Navigate to the PDU, which is to become your Master device

go to the configuration page

Find the PDU Mode Configuration Box

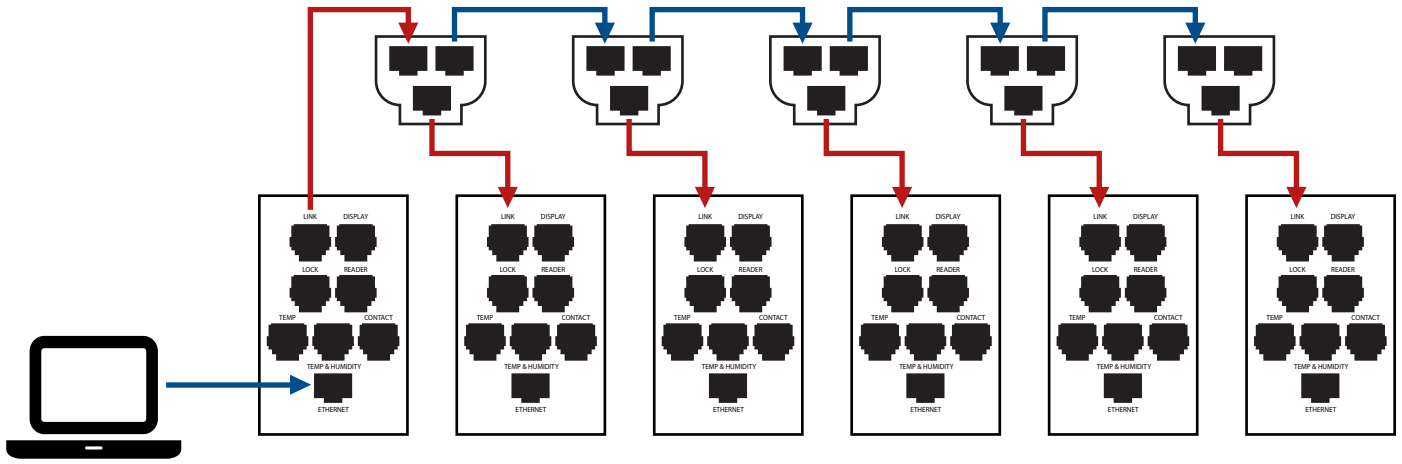
Change PDU Mode to Master

Save Changes

Modbus Status will report Searching for approx 2 minutes, then briefly querying, then Running.

Then you can navigate to the Slave PDU page to view information.





**Note:-**

Ensure the cables are connected to the correct port, Incorrect connection can cause damage to the PDU. Loss of communications or disconnection of a cable From Splitter to PDU, will result in loss of communication with that particular PDU only, breaking the spine of the network (Shown in Blue) Will result in loss of communication from the break onwards, communication will be restored once connection is re-established.

**Accessories**

| Description               | Part Number |
|---------------------------|-------------|
| Splitter F-F-F            | IPT-500-500 |
| PDU Connection            | IPT-500-550 |
| (Shown in Red, RJ22—RJ45) |             |

Cables Shown in Blue can utilise Standard RJ45 Patch Cables.

**Commissioning Service**

Ipower offers a commissioning Service for Customers who would prefer the Installation to be carried out, this can be combined with a simple product training session, Please ask for a quotation.

